



**Otter**<sup>®</sup> 2024





At Otter, we're a brand built on the commitment to creating the most rugged sleds and ice shelters on the market, and then constantly finding new ways to push their limits.

We are hole drillers, pizza roll cookers, ice campers, tip-up masters, but most of all, we are just people who enjoy being in the great outdoors in some of the coldest conditions on planet earth.

Whether you're pursuing new adventures or cherishing time with loved ones, we understand the effort it takes to be here, cherishing these moments above all else.

Our products meet our rigorous standards because we know they must exceed yours. Crafted with unmatched quality, we promise to maintain the reliability you count on and the innovation you expect.

When you see an Otter ice house, know we challenged ourselves and everyone we work with to find a new way forward. New ways to fish smarter, new ways to travel further, and new ways to support your growing love for breakfast on the ice.

At the end of the day, your experience on the ice is what matters most. At Otter, we will continue to play a special part in making those ambitious adventures turn into unforgettable memories.

# OTTER

## OUTDOORS. FOR EVERYONE.



2024



# OTTER OUTDOORS 2024



When it comes to the sport of ice fishing you can put your trust in Otter Outdoors. Featuring the most innovative, toughest, longest lasting shelters, sleds and accessories on the market. Built to make your time on the hardwater more productive, comfortable and enjoyable! Spend more time on the ice making memories that will last a lifetime with the legendary products of Otter Outdoors.

---

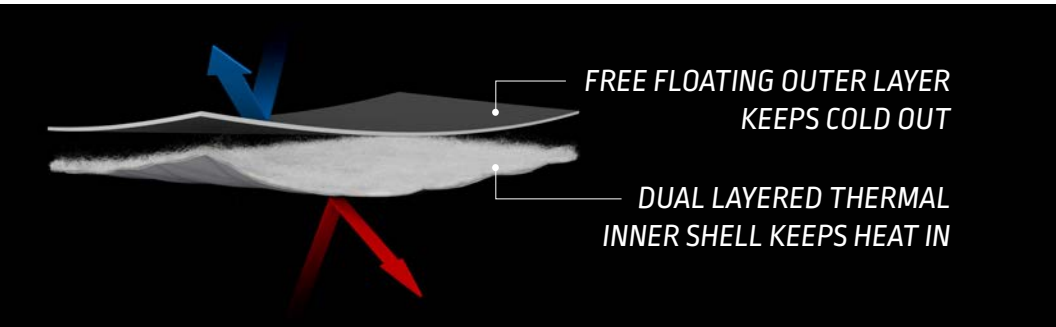
<b>VORTEX PRO HUBS</b> .....	<b>06</b>
<b>X-OVER SHELTER SERIES</b> .....	<b>12</b>
<b>SLEDS</b> .....	<b>22</b>
<b>SLED ACCESSORIES</b> .....	<b>28</b>
<b>SHELTER ACCESSORIES</b> .....	<b>32</b>
<b>ROD CASES</b> .....	<b>38</b>
<b>ATV ACCESSORIES</b> .....	<b>40</b>
<b>TRAILERS</b> .....	<b>42</b>



# VORTEX PRO HUB SERIES

## THE MOST FEATURE-RICH HUB SHELTERS ON THE MARKET

When you're looking for the ultimate in portability and versatility. Look for a Vortex Pro Hub. With a complete range of sizes to accommodate two to eight people, they're light, and easy to throw in a car, truck, on the sled or atv. Use them for shelter on the lake, days at the blustery fall soccer game or give ice camping a try. Designed with a full set of accessories to make your hub experience the best it can be.



### PATENTED THERMALTEC™ SETS US APART

ThermalTec™ was developed to address a pervasive issue in the cold weather shelter industry: light penetration through traditional thermal fabric seams. Our primary goal was to create a solution that prevents light from entering ice fishing shelters, as anglers prefer a dark interior for sight fishing. Traditional thermal materials with stitched or welded seams allow light to seep through, compromising the dark environment. ThermalTec™ overcomes this by eliminating seams on the major exterior panels, allowing these panels to float above a fully insulated interior layer. This innovative design virtually eliminates all light penetration.

During rigorous cold weather testing, ThermalTec™ not only demonstrated exceptional light-blocking capabilities but also revealed enhanced thermal properties. The floating exterior panels create a non-obstructive air layer between the insulated inner layers, allowing the insulation to loft. This air layer significantly improves thermal performance and reduces condensation on the heated interior panels of the shelter. In contrast, traditional sewn or welded seams compress the insulation, forming a direct conduit for air infiltration, leading to condensation and ice buildup. ThermalTec's seamless, floating design sets a new standard in ice fishing shelter technology, providing superior warmth, reduced condensation, and an ideal dark environment for sight fishing.







# VORTEX PRO

### REMOVABLE TPU WINDOWS WITH INSULATED COVERS

Some days it's bitter cold. Some days the sun comes up and it can get downright hot. Our window design is perfectly tailored to make sure Vortex Pro hubs are comfortable for you.



### INTEGRATED STORAGE POCKETS, OVERHEAD STORAGE & PROPANE PORT WITH HOOK AND LOOP FLAP

From wall mounted tool, tackle and rod storage to overhead nets for extra clothes, there's no shortage of storage in our hubs. Our propane port allows you to easily route your tank to your heater and keep the draft out.

### EXCLUSIVE ICE-LOCK™ ANCHOR SYSTEM

3-point corner anchoring system minimizes shelter movement due to wind. Reinforced corners and increased on-ice security.



### PATENTED THERMALTEC™ FABRIC LAYERING SYSTEM

Proprietary light blocking, wind-stopping, floating outer shell with insulated quilted inner shell. Provides the perfect combination of durability, warmth and reduced condensation.



### FULL DOORS

The details of an Otter hub are what truly sets them apart. Built with the features that you want and need. Our no-trip full doors allow for easy in and out access - necessary for hauling in gear or running out to the tip up!

### EXCLUSIVE STRAP WITH QUICK RELEASE BUCKLE

When you're repacking down your hub, getting it compact is critical. We provide an Exclusive Packing Strap with High Compression Quick Release Buckle that's extra tough.

### PORTABLE



### QUICK SET-UP



### MAXIMUM FISHING AREA





# VORTEX PRO HUBS

FOR EVERY OUTING, FROM QUICK TRIPS TO BIG GROUPS TO ICE CAMPING OVERNIGHT, OTTER HAS YOU COVERED.



**VORTEX PRO MONSTER LODGE 201646** \$799<sup>99</sup>



**VORTEX PRO MONSTER CABIN 201742** \$699<sup>99</sup>



**VORTEX PRO RESORT 201645** \$659<sup>99</sup>

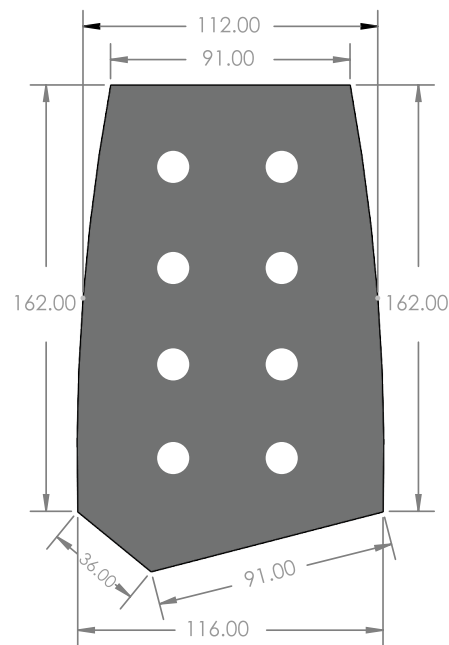


**VORTEX PRO LODGE 201625** \$499<sup>99</sup>

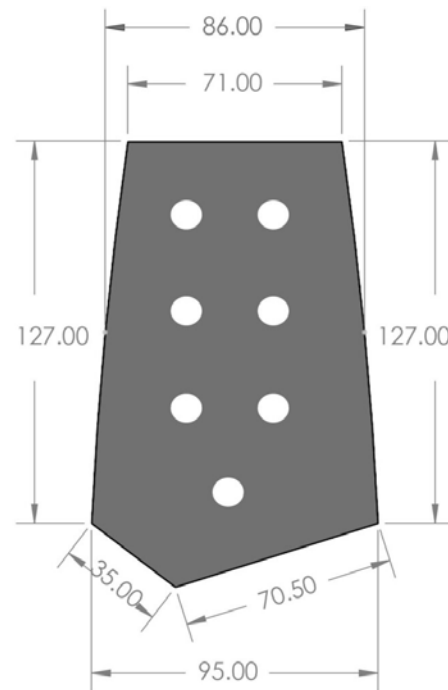


**VORTEX PRO CABIN 201644** \$399<sup>99</sup>

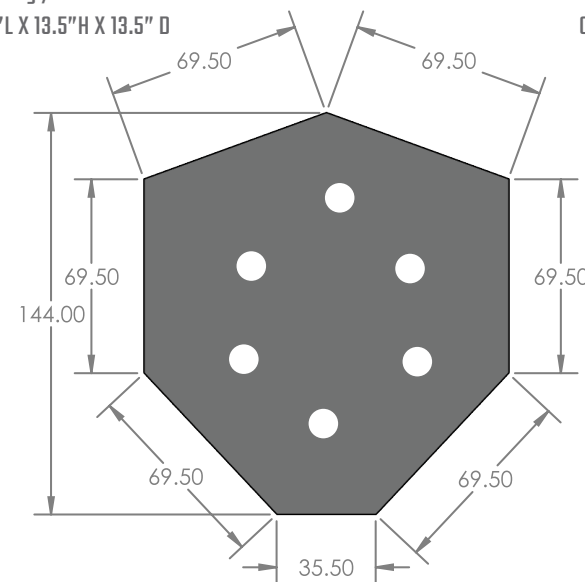
SIZE: 132 Fishable Sq ft.  
 ACCOMMODATES: 6-8 People  
 SIDES: 5  
 WEIGHT: 73 Lbs.  
 HEIGHT: 79" Ceiling / 68" Wall  
 COLLAPSED: 68" L X 13.5" H X 12" D



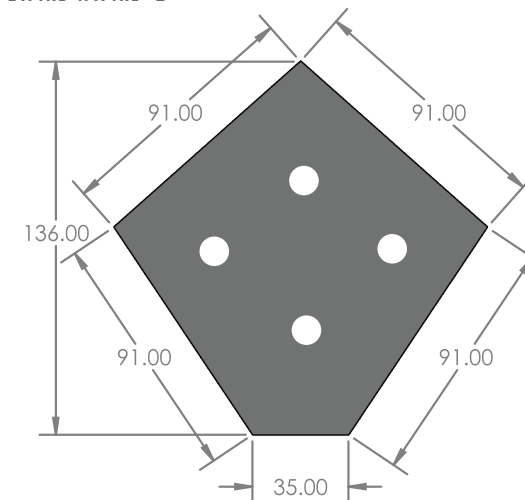
SIZE: 82 Fishable Sq ft.  
 ACCOMMODATES: 5-7 People  
 SIDES: 5  
 WEIGHT: 59 Lbs.  
 HEIGHT: 75" Ceiling / 66" Wall  
 COLLAPSED: 59" L X 13.5" H X 12" D



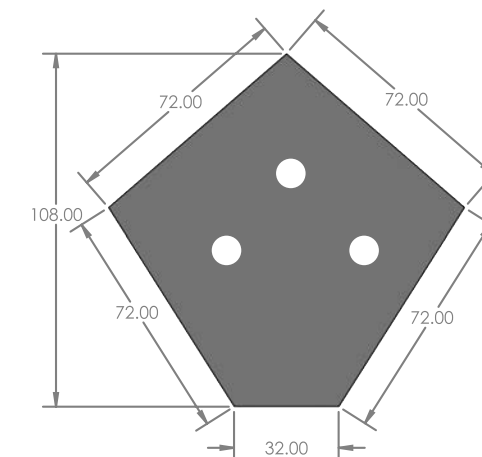
SIZE: 103 Fishable Sq ft.  
 ACCOMMODATES: 6-8 People  
 SIDES: 7  
 WEIGHT: 64 Lbs.  
 HEIGHT: 82" Ceiling / 69" Wall  
 COLLAPSED: 73" L X 13.5" H X 13.5" D



SIZE: 74 Fishable Sq ft.  
 ACCOMMODATES: 4-5 People  
 SIDES: 5  
 WEIGHT: 48 Lbs.  
 HEIGHT: 79" Ceiling / 69" Wall  
 COLLAPSED: 70" L X 11.5" H X 11.5" D



SIZE: 48 Fishable Sq ft.  
 ACCOMMODATES: 2-3 People  
 SIDES: 5  
 WEIGHT: 36 Lbs.  
 HEIGHT: 75" Ceiling / 67" Wall  
 COLLAPSED: 56" L X 11" H X 11" D





# X-OVER SHELTERS

THE PINNACLE OF DESIGN AND PERFORMANCE

When you want a flip-over style shelter, you're looking for convenience, ease of deployment and durability. That's exactly what we've built into our X-Over shelters. Built on an ultra-tough, USA rotomolded Otter sled for the foundation, lightweight square tube aluminum frame with patented Quick Switch system, and patented Otter ThermalTec shell for warmth. These X-Over shelters are exactly the fishing buddy you want out on the lake with you.





# X-OVER

Rich with cutting edge design and engineering features that will enhance any ice fishing experience. All Otter shelters come with Patented Otter ThermalTec triple layer insulated layering system that blocks wind, locks in warmth and reduces condensation.



4s  
OF  
SUPERIORITY

**STRUCTURE**

Oversized aluminum square tube framing with anodized receiver tubes, Ultra-Glide System & patented Quick Switch System

**SLED**

100% Rotomolded polyethylene construction, provides years of dependable performance.

**SEATING**

Comfortable, foldable, ergonomically designed seats featuring deluxe padding for comfort and durability set us apart from the competition.

**SHELL**

Patented Otter ThermalTec, creates high loft insulation while virtually eliminating light infiltration & condensation with a no-seam, floating outer layer.

**SUPERIOR STRUCTURE** Patent #10,676,955

All X-Over shelters feature super strong oversized square tube aluminum frames to prevent bending. Ultra-Glide System allows the frame to slide easily back and forth.



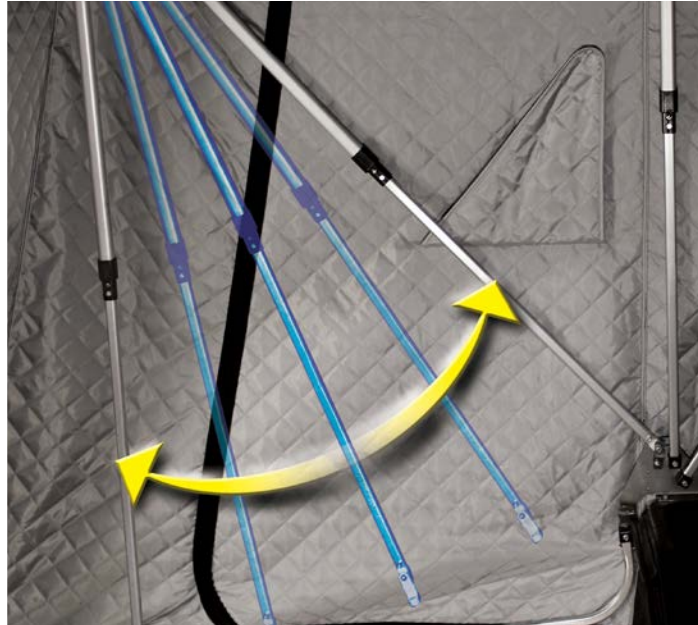
**INDUSTRY'S TOUGHEST ROTOMOLDED SLED!**

All Otter Sleds feature our legendary rotomolded construction that has lead the industry for decades. Manufactured in the USA and built for the ultimate blend of strength and durability.



**PATENTED QUICK SWITCH FRAME** Patent #10,676,955

Easily switch to side entry doors while maintaining front door access. Sets up like traditional shelters and converts to side access in seconds. Available on ALL Otter X-Over shelters.



**INDUSTRY'S LEADING ERGONOMIC SEATING**

Different fisherman, different fish. Some want swivel seats and we've got them covered with our XT Pro models. Some want a folding bench, we've got them covered with our XT models.



**EZ LOCK ASSEMBLY ON ALL X-OVER SHELTERS**

Reduces frame assembly time by 75% by eliminating framing screws. Featuring a super strong oversized square tube aluminum frame with Ultra-Glide System.



**ADVANCED FULL THERMAL SHELL**

The most advanced thermal shell on the market built with Otters patented Thermal Tec fabric ensures you're warm on the coldest, windiest, days.





# XT PRO X-OVER SHELTERS



- ▲ Front, side and rear access doors with dual coil zippers
- ▲ USA rotomolded Otter Pro sled with molded-in hitch pockets
- ▲ Cross-link seating system with folding swivel seats (Except for 3-seat system on the Resort model)
- ▲ Patented Otter ThermalTec triple layer fully insulated shell 1,200-denier Patent #10,145,139
- ▲ Patented Quick Switch Frame System Patent #10,676,955
- ▲ EZ lock assembly



# XT X-OVER SHELTERS



- ▲ Front and side access doors with dual coil zippers
- ▲ USA rotomolded Otter XT sled with molded-in hitch pockets
- ▲ Deluxe padded bench seat system
- ▲ Patented Otter ThermalTec triple layer fully insulated shell 600-denier Patent #10,145,139
- ▲ Patented Quick Switch Frame System Patent #10,676,955
- ▲ EZ lock assembly





# 2024 OTTER OUTDOORS LEGENDARY SLEDS & SHELTERS

## XT PRO X-OVER SHELTERS



### XT PRO X-OVER COTTAGE 201163

\$799<sup>99</sup>

- SIZE: 16.8 Sq ft.
- SEATING: 1 Swivel seat (room for 2nd optional seat)
- SIZE SET-UP: 54"L x 77"W x 63"H
- WEIGHT: 82 Lbs.
- FEATURES:
  - Front, side and rear access doors
  - Dual coil zippers
  - Rotomolded pro sled
  - Molded-in hitch pockets
  - Cross-link seating system, swivel seats with folding backrests



### XT PRO X-OVER CABIN 201157

\$1,099<sup>99</sup>

- SIZE: 22 Sq ft.
- SEATING: 2 Seats (room for 3rd optional seat)
- SIZE SET-UP: 66"L x 84"W x 70.5"H
- WEIGHT: 103 Lbs.
- FEATURES:
  - Front, side and rear access doors
  - Dual coil zippers
  - Rotomolded pro sled
  - Molded-in hitch pockets
  - Cross-link seating system, swivel seats with folding backrests



### XT PRO X-OVER LODGE 201152

\$1,199<sup>99</sup>

- SIZE: 30 Sq ft.
- SEATING: 2 Seats (room for 3rd optional seat)
- SIZE SET-UP: 74"L x 97"W x 77"H
- WEIGHT: 124 Lbs.
- FEATURES:
  - Front, side and rear access doors
  - Dual coil zippers
  - Rotomolded pro sled
  - Molded-in hitch pockets
  - Cross-link seating system, swivel seats with folding backrests



### XT PRO X-OVER RESORT 201146

\$1,499<sup>99</sup>

- SIZE: 35 Sq ft.
- SEATING: 3 Seats
- SIZE SET-UP: 84"L x 106"W x 80"H
- WEIGHT: 145 Lbs.
- FEATURES:
  - Front, side and rear access doors
  - Dual coil zippers
  - Rotomolded pro sled
  - Molded-in hitch pockets
  - 3-seat system



## XT X-OVER SHELTERS



### XT X-OVER COTTAGE 201169

\$769<sup>99</sup>

- SIZE: 16.8 Sq ft.
- SEATING: 38" Wide bench seat
- SIZE SET-UP: 54"L x 79"W x 65"H
- WEIGHT: 80 Lbs.
- FEATURES:
  - Front & side access doors
  - Dual coil zippers
  - Rotomolded XT sled
  - Molded-in hitch pockets
  - Flip-up deluxe padded bench seat



### XT X-OVER CABIN 201176

\$899<sup>99</sup>

- SIZE: 22 Sq ft.
- SEATING: 48" Wide bench seat
- SIZE SET-UP: 64"L x 84"W x 72.5"H
- WEIGHT: 95 Lbs.
- FEATURES:
  - Front & side access doors
  - Dual coil zippers
  - Rotomolded XT sled
  - Molded-in hitch pockets
  - Flip-up deluxe padded bench seat



### XT X-OVER LODGE 201178

\$999<sup>99</sup>

- SIZE: 30 Sq ft.
- SEATING: 58" Wide bench seat
- SIZE SET-UP: 74"L x 97"W x 77"H
- WEIGHT: 120 Lbs.
- FEATURES:
  - Front & side access doors
  - Dual coil zippers
  - Rotomolded XT sled
  - Molded-in hitch pockets
  - Flip-up deluxe padded bench seat



### XT X-OVER RESORT 201173

\$1,149<sup>99</sup>

- SIZE: 35 Sq ft.
- SEATING: 66" Wide bench seat
- SIZE SET-UP: 84"L x 106"W x 80"H
- WEIGHT: 145 Lbs.
- FEATURES:
  - Front & side access doors
  - Dual coil zippers
  - Rotomolded XT sled
  - Molded-in hitch pockets
  - Flip-up deluxe padded bench seat





# XT HIDEOUT SHELTER



**XT HIDEOUT 200960** \$599<sup>99</sup>

The ultimate 1-person flipover shelter featuring a wide-back designed RotoMolded XT sled with molded-in cup and accessory pockets. Removable swivel seat. Provides maximum fishable area with minimum sled footprint for easy on-ice transport.

SIZE: 12.6 Sq ft.  
 SEATING: 1 seat  
 SIZE SET-UP: 108"L x 38"W x 60"H  
 WEIGHT: 59 lbs.





# LEGENDARY SLED SERIES

## PRO + SPORT SLEDS

All Otter Sleds feature our legendary rotomolded construction that has lead the industry for decades. Built for the ultimate blend of strength and durability. Versatile enough to handle the toughest tasks, big or small. Our unique manufacturing process has been fine-tuned and delivers uniform wall thickness that evenly distributes more material, helping absorb the shock and stress to the sled. They're made for any season, tested to -40°F, used for almost any reason or application and built to last a lifetime. Rotomolded with pride in Minnesota, USA.





# PRO SLEDS

- ▲ Molded-in hitch and hyfax runner pockets \*Except Mini
- ▲ Thick, rugged bottom with molded-in ribs
- ▲ Tows smoothly behind ATV/UTV or snowmobile



**LARGE PRO 200821** \$299<sup>99</sup>  
85"L x 44"W x 17"H



**MAGNUM PRO 200820** \$189<sup>99</sup>  
75"L x 38"W x 15"H



**MEDIUM PRO 200819** \$144<sup>99</sup>  
65"L x 32"W x 15"H



**SMALL ULTRA-WIDE PRO 200816** \$114<sup>99</sup>  
56"L x 32"W x 13"H



**SMALL PRO 200818** \$89<sup>99</sup>  
55"L x 27"W x 13"H



**MINI PRO 200817** \$64<sup>99</sup>  
43"L x 23"W x 10.5"H



# SPORT SLEDS

- ▲ Lightweight & designed for hand pulling
- ▲ Tow rope included
- ▲ Ideal for early season ice conditions



**LARGE SPORT 200827** \$84<sup>99</sup>  
64"L x 29"W x 11"H



**MEDIUM SPORT 200825** \$69<sup>99</sup>  
53"L x 25"W x 10"H



**SMALL SPORT 200823** \$56<sup>99</sup>  
43"L x 21"W x 9"H



## PRO MEDIUM SLED COMBO

**PRO MEDIUM SLED COMBO 200078** \$319<sup>99</sup>  
The perfect 4-in-1 package for transporting pop-up & hub style shelters & gear. Includes: Pro Medium Sled, Hyfax Runner Kit, Tow Hitch & Travel Cover



# OTTER ACCESSORY SERIES

BUILT TO OUR  
DEMANDING  
STANDARDS

Extreme winter weather activities demand a top quality shelter to get out of the cold. Otter's full line of accessories allows you to outfit your shelter to perfectly match your needs.





# SLED ACCESSORIES



**TRAVEL COVERS** Protect the gear inside of your Otter Sled or Shelter during transport. Heavyweight polyester 600 denier fabric (400 denier on Sport Covers) is extremely durable and water resistant. Sewn-in shock cord to seal out snow, slush, and mud.

Part #	SHELTER TRAVEL COVERS	Price	
200015	Cottage Package Cover	\$62 <sup>99</sup>	Fits Pro and XT Cottage Packages
200014	Cabin Package Cover	\$69 <sup>99</sup>	Fits Pro and XT Cabin Packages
200016	Lodge Package Cover	\$74 <sup>99</sup>	Fits Pro and XT Lodge Packages
200022	Resort Package Cover	\$89 <sup>99</sup>	Fits Pro and XT Resort Packages
201019	XT Hideout Package Cover	\$69 <sup>99</sup>	Fits the XT Hideout Package

Part #	PRO SLED TRAVEL COVERS	Price	
200023	Pro Small Sled Cover	\$56 <sup>99</sup>	
200025	Pro Small Ultra-Wide Sled Cover	\$57 <sup>99</sup>	
200020	Pro Medium Sled Cover	\$59 <sup>99</sup>	
200019	Pro Magnum Sled Cover	\$74 <sup>99</sup>	
200017	Pro Large Sled Cover	\$79 <sup>99</sup>	
200026	Pro X-Large Sled Cover	\$79 <sup>99</sup>	

Part #	SPORT SLED TRAVEL COVERS	Price	
200024	Sport Small Sled Cover	\$15 <sup>99</sup>	
200082	Sport Medium Sled Cover	\$22 <sup>99</sup>	
200018	Sport Large Sled Cover	\$27 <sup>99</sup>	





**HYFAX RUNNER KITS** Give extra life to your Otter Sled! Our Otter Sled Hyfax Runner Kits are rugged, and dependable! They are the ideal choice for the high-miler who needs extreme durability for those long hauls! High-density plastic runners bolt into the molded-in pockets on the bottom of your Otter Sled. Pro Hyfax runners are 5/8" thick. Sport Hyfax runners are 7/16" thick.

Part #	PRO SLED HYFAX RUNNER KITS	Price	
200048	Small Ultra-Wide Pro Sled Hyfax Runner Kit	\$54 <sup>99</sup>	Fits Small UW Pro Sled and Pro Cottage
200042	Small Pro Sled Hyfax Runner Kit	\$36 <sup>99</sup>	Fits Small Pro Sled
200043	Medium Pro Sled Hyfax Runner Kit	\$48 <sup>99</sup>	Fits Medium Pro and XT Sleds. Fits Pro and XT Cabin
200045	Magnum Pro Sled Hyfax Runner Kit	\$74 <sup>99</sup>	Fits Magnum Pro and XT Sleds. Fits Pro and XT Lodge
200047	Large Pro Sled Hyfax Runner Kit	\$79 <sup>99</sup>	Fits Large Pro and XT Sleds. Fits Pro and XT Resort
200049	Small Ultra-Wide Hyfax Runner Kit	\$42 <sup>99</sup>	Fits Small UW XT Sled and XT Cottage
201090	Hideout Hyfax Runner Kit	\$48 <sup>99</sup>	Fits Wide-Back XT Sled and Hideout

Part #	SPORT SLED HYFAX RUNNER KITS	Price	
201735	Small Sport Sled Hyfax Runner Kit	\$34 <sup>99</sup>	Fits Small Sport Sled
201736	Medium Sport Sled Hyfax Runner Kit	\$36 <sup>99</sup>	Fits Medium Sport Sled
201737	Large Sport Sled Hyfax Runner Kit	\$39 <sup>99</sup>	Fits Large Sport Sled



**TOW HITCHES** Strongest on the market. An easy, convenient option to tow your Otter shelter or Pro sleds. Heavy duty steel tubing with a baked-on finish offers incredible strength and durability. Spring loaded coupler to absorb shocks & pivots during travel.

Part #	TOW HITCHES	Price	
200086	Standard	\$69 <sup>99</sup>	Fits Small, Small UW, Medium & Magnum Pro & XT Sleds. Includes hitch pins.
200085	Large	\$79 <sup>99</sup>	Fits Large Pro & XT Resort Packages. Includes hitch pins.

**HITCH PIVOT 200037** \$49<sup>99</sup>  
Allows hitch (200085 & 200086) to remain attached while pivoting back and forth over the top of sled. Hitch sold separately. Quickly fold your hitch over the top of your sled during transport. Saves time and precious cargo space when transporting in a pickup bed. Fits Small/ Medium/ Mag / Large Otter Sled Tow Hitch.



**UNIVERSAL REAR SLED HITCH RECEIVER 200064** \$27<sup>99</sup>  
Attach this adapter plate to the rear of your sled to hook multiple sleds together for maximum capacity and tandem towing. Receiver mounts at rear of first sled, allowing attachment of a second hitch and sled Includes: Backer plate with hardware, hitch receiver and pin. Pin size 7/16 x 1-3/4.  
**Sled Tow Hitch sold separately.**

**RECEIVER MOUNT FLIPPER HITCH ADAPTER 200948** \$22<sup>99</sup>  
Installs onto 1" and 3/4" ball shanks to allow use of a pin-style hitch. For ATV and UTV use only. Fits most ball mounts up to 2-5/8" wide.  
**Receiver & Ball Mount not included.**



**UNIVERSAL TOW HITCH PIN 200033** \$5<sup>99</sup>  
Connects all Otter hitch sizes to an ATV, UTV or snowmobile. Also connects another hitch receiver when towing 2 sleds in tandem one behind the other. Pin size 7/16 x 1-3/4.



**REPLACEMENT HITCH PINS 200036** \$9<sup>99</sup>  
Fits hitch (200086) Small, Medium & Magnum Sled Tow Hitch. 2 pack.  
**REPLACEMENT HITCH PINS 200034** \$9<sup>99</sup>  
Fits hitch (200085) Large Sled Tow Hitch. 2 pack.



**UNIVERSAL TOW HITCH ADAPTER 200032** \$28<sup>99</sup>  
Allows the Otter Sled Tow Hitch (200086) to attach to the Otter Pro Mini Sled (200817), all Otter Sport Sleds and most makes and models of cargo sleds.





# SHELTER ACCESSORIES



## NEW! QA SERIES

### QUICK ATTACH UNIVERSAL SHELTER ACCESSORIES

Introducing the Otter Quick Attach Series, a revolutionary line of universal accessories to enhance the ice fishing experience.

Features a versatile quick attach system, perfectly compatible with most hub style ice fishing shelters, as well as any vertical wall surface, be it in a wheel house, skid house, or similar structures.

Each accessory in this line is thoughtfully designed to be compact, ensuring easy storage and transportation. The on/off installation process is a game-changer, allowing for swift pack-up and storage, saving you valuable time and effort.



#### NEW QA GIFT PACK 201773 \$99<sup>99</sup>

This exclusive Otter QA Gift Pack combines all of Otter's latest Quick Attach (QA) accessories into one convenient, cost-effective bundle.

Includes:

- 1 - QA Multi Shelf
- 2 - QA Rattle Reels
- 1 - QA Dual Cup Holder
- 1 - QA Dual Rod Holder
- 8 - QA Mounts



#### NEW QA RATTLE REEL 201771 \$19<sup>99</sup>

Swing Arm design with adjustable reel extension for flexible placement. Reel Knob provides drag resistance. Nylon 66 Construction offers superior impact and cold weather performance. Includes (2) QA Mounts with angle adjustment for flexible accessory placement.



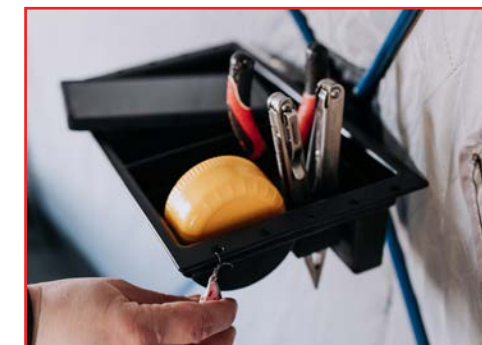
#### NEW QA DUAL ROD HOLDER 201772 \$24<sup>99</sup>

Two Extended tube rod holders work great with standard and split-grip rods. Swing Arm design allows flexible rod placement. Powder Coated Steel Construction. Includes (2) QA Mounts with angle adjustment for flexible accessory placement.



#### NEW QA DUAL CUP HOLDER 201769 \$19<sup>99</sup>

Dual Size Openings for a wide variety of cup/can/bottle sizes. Nylon 66 Construction offers superior impact and cold weather performance. Includes (2) QA Mounts with angle adjustment for flexible accessory placement.



#### NEW QA MULTI-SHELF 201770 \$29<sup>99</sup>

Shelf features lure holders, phone pocket, tool holders, bait puck storage and misc. item space with raised edge. Nylon 66 Construction offers superior impact and cold weather performance. Includes (2) QA Mounts with angle adjustment for flexible accessory placement.



#### NEW DELUXE ALUMINUM ROLL TOP TABLE 201774 \$59<sup>99</sup>

Perfect for ice fishing and camping. Lightweight and sturdy. Roll-top design makes set-up a breeze and packs down small. Carry bag included for easy transport and storage.

Weight: 5lbs 5oz

Setup dims: 22 3/4" w x 22 1/2" l x 22" h

Collapsed dims: 27 1/2" x 8" x 8"







**SIDEKICK 201527** \$49<sup>99</sup>

Universal Ice Fishing Shelter/ Bucket Console featuring: Rod Pockets, Cell Phone Slots, Bait Puck Holders, Tackle/Gear Tray, and mounts for Otter Rod Holders. Also mounts on standard 5-6 gallon buckets. Fits Pro Packages Cottage, Cabin, Lodge and all flipovers with cross-link seating.



**MINI SIDEKICK 201729** \$34<sup>99</sup>

Drop-in installation on the sidewall of most sleds. Offers access to tool-holders, bait, phone, tackle trays and more. Compatible with Otter Rod Holder. Pre-molded slots also fits on standards 5-6 gallon buckets.

\*Does not fit sled on XT Pro Resort and XT Resort.



**OTTER PRO UNIVERSAL LED LIGHT KIT 201368** \$79<sup>99</sup>

1200 Maximum Lumens. In-line dimmer dial allows for infinite adjustments. Max-6 lights can be chained together. Includes 2 LED Lights, 4 HUB Clips, 4 Flip-Style Mounting Straps & Connection Wiring. Requires a 12v battery (not included).



**SAFETY BEACON & FLAG 201425** \$29<sup>99</sup>

Improves on-ice low-light visibility. Flashing amber led provides a beacon to aid in locating. Designed for Otter shelters with integrated external pockets and loops [2019 model years and newer].



**DELUXE DOUBLE DECKER TABLE 201622** \$54<sup>99</sup>

The perfect solution for the ice fisherman that is looking to spend the night on the lake. Ideal for eating in your Hub or keeping your gear off the ice. Compact & folds down for easy use & storage. Comes with a carry case.

SETUP: 27" L x 27" W x 27.5" H  
COLLAPSED: 36" L x 7" W x 5.5" H / 7.25 lbs

**COMPACT TABLE WITH CUP HOLDERS 201623** \$26<sup>99</sup>

Designed to maximize functionality without compromising space. Compact & folds down for easy use & storage. Comes with a carry case.

SETUP: 18.5" L x 18.5" W x 17.5" H  
COLLAPSED: 24" L x 5" W x 5" H / 3.5 lbs



**XL PADDED TRI-POD CHAIR 201624** \$44<sup>99</sup>

The unique adjustable lumbar design makes this the most comfortable tri-pod ice fishing chair available. Heavy Duty Construction. Compact & folds down for easy use & storage. Comes with a carry case.

SETUP: 21" W x 33" H,  
Seat Height 19", Seat Depth 19"  
COLLAPSED: 32" L x 5" W x 5" H / 7.5 lbs



**HUB CINCH STRAPS 201429** \$11<sup>49</sup>

2 Pack. Heavy duty compression straps. Premium webbing 1" W x 66" L. Steel spring buckle. Perfect packing solution for hub style shelters.



**TELESCOPING ALUMINUM SHOVEL 201594** \$29<sup>99</sup>

The perfect shovel for the mobile ice fisherman. Ideal for banking portable shelters and clearing slush/snow. Strong Anodized Aluminum Scoop. Telescoping Aluminum Shaft. Polycarbonate T-Handle

COLLAPSED DIMS: 18" L x 9" W  
EXTENDED DIMS: 26" L x 9" W  
WEIGHT: 1.5 LBS



**PRO JUMPSEAT 201619** \$69<sup>99</sup>

Padded seating area and backrest. Provides extra seating in all Otter Pro X-Over shelters with cross-bar seating when used in combination with the Otter Sidekick (sold separately.) Mounts on top of 5-6 gallon buckets. Ideal for fishing outside or in hub-style houses. Folding backrest for compact, easy storage. Easy carry handle.

SETUP DIMENSIONS: 15" L x 13" W x 14" H



**ICE ANCHOR KIT 201042** \$28<sup>99</sup>

A universal hub shelter anchoring solution. Each kit comes with 4 anchors and a carry pouch.

**QUICK-SNAP UNIVERSAL ICE ANCHOR TOOL 201179** \$19<sup>99</sup>

The Otter Quick-Snap Ice Anchor Tool is engineered for easy one-handed operation. Ice anchors securely snap into place allowing for easy installation and removal of ice anchors. Durable powder coat finish and fully welded steel construction for long lasting durability. Fits most screw in type ice anchors. Attaches to any cordless drill or 1/4" impact driver.



**AUGER SHIELD**

**8" DIA 200077** \$89<sup>99</sup> // **10" DIA 200076** \$99<sup>99</sup>

Our revolutionary Auger Shield is a full-length design that encases the auger blade. Rugged Roto-Molded polyethylene plastic protects your expensive gear from being damaged by the sharp, metal edge of your auger blade and protects the blade too. A built-in carrying handle makes for easy transport and allows you to store hanging it on the wall. Fits standard length augers.

DIMENSIONS: 200077: 8" Dia // 200076: 10" Dia



**FOLDING ICE SCOOP 201731** \$34<sup>99</sup>

The new Otter folding ice scoop offers the pinnacle of design and convenience to all ice anglers. With molded-in measurement marks, precision chisel and bottom-of-ice stop, this is the perfect scoop to measure ice for convenience and safety. 40" long when extended, folds in half.



**FISHING TOWEL 201620** \$8<sup>99</sup>

The only fishing towel designed specifically for ice fishing. Extra large size with hook & loop swivel cam buckle.

DIMENSIONS: 23" L x 15" W x .25" D





**EASY FRAME RELEASE LEVER KIT 201728** \$19<sup>99</sup>  
 These devices are simply designed to make life on the ice easier. If you own a new or existing Otter dating back to 2008, these levers install on our oversize square-tube frame to easily release the sliding poles, even under pressure. Comes in a pack of 8.



**SLED SHELTER ANCHOR KIT 201730** \$34<sup>99</sup>  
 The new Otter Sled Anchor Kit allows any sled or shelter to be anchored in high-wind conditions. High winds are a factor across the ice belt, especially the Dakotas, Canada and beyond making this a must for any die-hard portable house angler. Features 2 sled anchor points + 2 self-tapping ice anchors and quick-release nylon cam-buckle straps to secure the sled/shelter to the ice.



**SHELTER STORAGE HAMMOCK FOR ROOF 201045** \$34<sup>99</sup>  
 A universal storage solution for all flipover shelters. Stretchable/ adjustable storage netting. Integrated non-slip hook loop belt system. Easy installation and removal.



**SHELTER 3-POCKET CARGO NET FOR WALL 201046** \$39<sup>99</sup>  
 A universal storage solution for all flipover shelters. Stretchable/ adjustable storage netting. Integrated non-slip hook loop belt system. Easy installation and removal.



**SHELTER HOOKS 201043** \$16<sup>99</sup>  
 A universal solution for all flipover shelters. Premium heavy duty aluminum hooks with combination hook and loop non-slip belt attachment. Deep, U-Shape design can mount vertically or horizontally for use in a variety of locations. 3 pack.



**UNIVERSAL BATTERY TRAY 201640** \$14<sup>99</sup>  
 Foam insert and strap securely holds one standard 12v battery. Mounts to the interior of sled or any flat surface.  
 DIMENSIONS: 7.5" L x 3.4" W x 5" H



**PRO SHELTER STORAGE & BATTERY TRAY 201639** \$29<sup>99</sup>  
 Designed to fit in all Otter Pro X-Over shelters with seat rails. Adds additional storage space to the curved part of the sled. Holds two standard 12v batteries securely with straps.  
 DIMENSIONS: 13.5" L x 14" W x 4" H



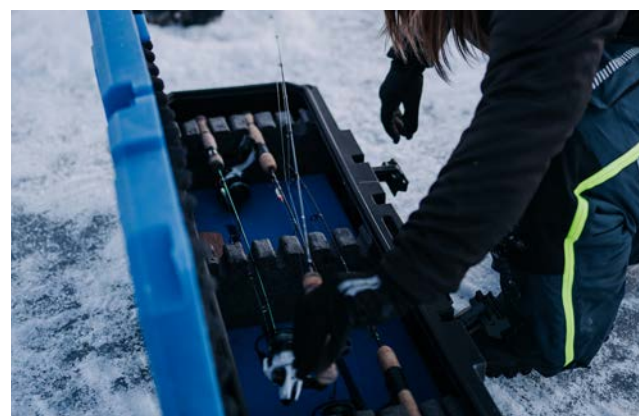
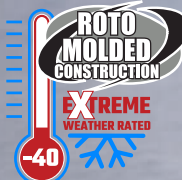
**ADJUSTABLE ROD HOLDER 200067** \$17<sup>99</sup>  
 The Otter adjustable rod holder allows you to keep your rod steady and secure during long hours on the ice. Features powder-coated steel rod holder perfect for long days on the ice, or fishing a dead stick and multiple lines. Mountable in Otter sleds, wheel houses and most non-Otter branded sleds and shelters. Pivoting arm allows for multiple placement options.



# ROD CASES

## MAXIMUM PROTECTION & VERSATILITY

Designed for the ultimate ice angler. Rotomolded in the USA for unmatched strength and durability to protect your investment in rods and reels. Otter rod cases are built with features that matter to those that take the ice game seriously... cutouts for tackle storage boxes, polyurethane upper & lower foam, proprietary ultra-lock quick release latches, flush mount high-strength nylon handles, nickel plated steel hardware and a built-in lid ruler. Our deep models are the perfect solution for multi-species combos.



**PRO-TECH 48 DEEP ROD CASE 201432** \$299<sup>99</sup>  
 • Holds 8 rod/reel combos up to 47.5"  
 • 48" L x 15.5" W x 9" H



**PRO-TECH 40 DEEP ROD CASE 201441** \$249<sup>99</sup>  
 • Holds 6 rod/reel combos up to 39.5"  
 • 40" L x 15.5" W x 9" H



**PRO-TECH 48 ROD CASE 201519** \$229<sup>99</sup>  
 • Holds 8-10 rod/reel combos up to 47.5"  
 • 48" L x 15.5" W x 7" H



**PRO-TECH 40 ROD CASE 201520** \$189<sup>99</sup>  
 • Holds 6-8 rod/reel combos up to 39.5"  
 • 40" L x 15.5" W x 7" H

\* ACCESSORIES ARE NOT INCLUDED & FOR VISUAL PURPOSES ONLY



# ATV ACCESSORIES

## EXTREME PROTECTION

Otter Monster Boxes and Accessories add the extra space needed to bring your gear to hunting, fishing, lawn projects or job sites. Thick roto-molded polyethylene construction withstands the toughest conditions for years of service.



### ATV MONSTER BOX (STANDARD) 200544 \$229<sup>99</sup>

- Standard lid provides full range of headlight and handlebar clearance
- Universal fit front or rear mounted
- Molded-in top tie down tabs for securing extra gear
- High impact handle with stainless steel double lock and hinges
- 3.5 Cubic foot of space · 22 Lbs.
- Overall Dimensions: 18" L x 36" W x 9" H



### ATV MONSTER BOX (EXTENDED) 200545 \$249<sup>99</sup>

- Extended lid provides 2" of top tray storage room and 7" of deep interior storage
- Universal fit front or rear mounted
- Molded-in top tie down tabs for securing extra gear
- High impact handle with stainless steel double lock and hinges
- 3.5 Cubic foot of space · 22 Lbs.
- Overall Dimensions: 18" L x 36" W x 9" H
- 7" Interior Depth



### REAR MONSTER BOX 200543 \$399<sup>99</sup>

- Deluxe wrap around style fits on rear of ATVs and some snowmobile models
- Molded-in top tie down tabs for securing extra gear
- Molded-in Accessory Attachment System on both sides
- High impact handle with stainless steel lock and hinges
- 10.5 Cubic foot of space · 43 Lbs.
- Overall Dimensions: 35" L x 42" W x 19" H
- 14" Interior Depth



### ATV AUGER SHIELD/TOOL SLEEVE 200553 \$114<sup>99</sup>

- Easily slides on and off the of the 200543 Rear Monster Box
- High impact thick RotoMolded Polyethylene construction
- Made for standard length augers
- Fits 10" auger
- Molded-in carrying handle



### ATV BUCKET HOLDER 200829 \$44<sup>99</sup>

- Holds a 5 gallon bucket
- Easily slides on and off the Accessory Attachment System of the 200543 Rear Monster Box
- High impact thick RotoMolded Polyethylene construction



### ATV ROD CASE MOUNT 200830 \$29<sup>99</sup>

- Mount any Otter Rod Case to the Otter Rear ATV box with this accessory. May be used to mount other items as well.
- Dimensions 15.75" x 10"



# OTTER TRAILERS

## BUILT FOR WORK

Otter Trailers feature dual molded-in power rails for the ultimate in strength and durability. Two aluminum i-beam rails are molded directly into the trailer body during the manufacturing process to serve as the anchor point for the trailer bed. No drilling holes in the polyethylene body and relying on a bolt and washer to secure your load. Otter frames bolt directly to the power rails providing the highest level of strength and performance.

Otter trailers are purpose-built for consistent, heavy-duty use in all seasons and for a multitude of uses including farm and ranch, landscaping, hunting, fishing or any hauling need. Trailers tow smoothly behind any ATV, garden tractor or small utility vehicle.



TIPPER LATCH



REINFORCED OUTER LIP



RUGGED TURF TIRES

### XPRESS 15 201234 \$499<sup>99</sup>

No matter if you are using the Otter Xpress 15 Off-Road Trailer at home, the cabin, the farm or in your backyard – the Otter Xpress 15 can haul up to 15 Cubic Feet and 1200 Pounds!



**SIZE:** 15 Cubic feet  
**LOAD CAPACITY:** 1200lb  
**DIMENSIONS:** 65”L x 36”w x 14”d  
**TIRES:** Flotation turf tire, 18” x 7” x 8”  
**HUBS:** Greasable bearings - integrated/needle  
**HITCH STYLE:** Pin  
**FEATURES:** Industry strongest roto-molded trailer body  
 Molded-in power-rail frame  
 Tilt-n-swivel side & rear dumping w/ tipper latch  
 High clearance axle



### XPRESS 20 201239 \$599<sup>99</sup>

The Otter Xpress 20 can haul up to 20 Cubic Feet and 1200 Pounds!



**SIZE:** 20 Cubic feet  
**LOAD CAPACITY:** 1200lb  
**DIMENSIONS:** 65”L x 46”W x 14”D  
**TIRES:** Flotation turf tire, 18” x 8.5” X 8”  
**HUBS:** Greasable bearings - integrated/needle  
**HITCH STYLE:** Pin  
**FEATURES:** Industry strongest roto-molded trailer body  
 Molded-in power-rail frame  
 Tilt-n-swivel side & rear dumping w/ tipper latch  
 High clearance axle

### SUPER XPRESS 20 201244 \$729<sup>99</sup>

The Otter Super Xpress 20 can haul up to 20 Cubic Feet and 1500 Pounds! This is the most rugged trailer that we offer at Otter.



Receiver & Ball  
Not Included

### Flipper Hitch Adapter 200948

\*see page 33

**SIZE:** 20 Cubic feet  
**LOAD CAPACITY:** 1500lb  
**DIMENSIONS:** 65”L x 46”w x 14”d  
**TIRES:** Flotation turf tire, 18” x 9.5” X 8”  
**HUBS:** Greasable high-speed tapered roller bearings, 4-bolt-hub  
**HITCH STYLE:** 2” ball coupler  
**FEATURES:** Industry strongest roto-molded trailer body  
 Molded-in power-rail frame  
 Tilt-n-swivel side & rear dumping w/ tipper latch  
 High clearance axle





**Otter**

©2024 Otter Outdoors. Printed in the USA.

[WWW.OTTEROUTDOORS.COM](http://WWW.OTTEROUTDOORS.COM)

MAPLE LAKE, MINNESOTA

