



## Part #'s 200070 & 200072 Fish house seat with aluminum bracket

### Parts List:

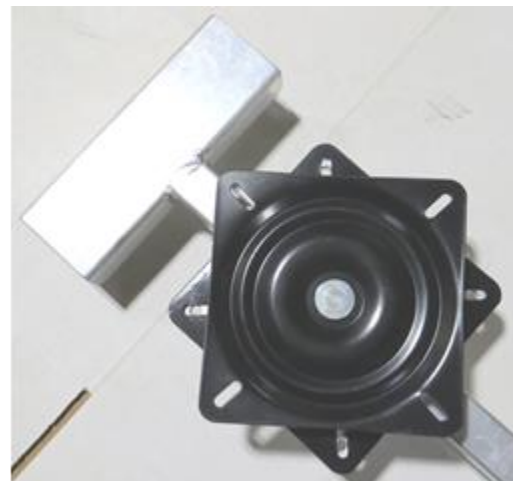
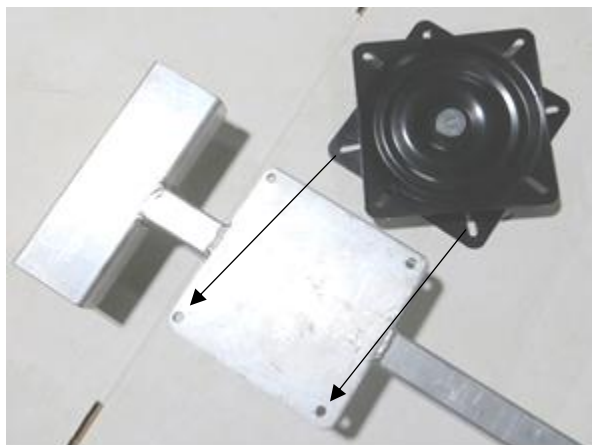
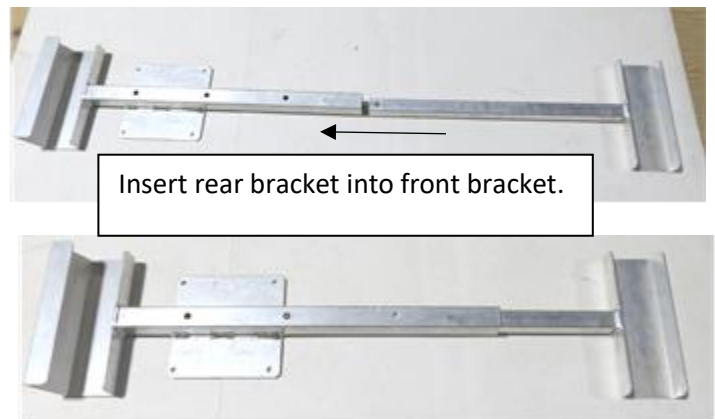
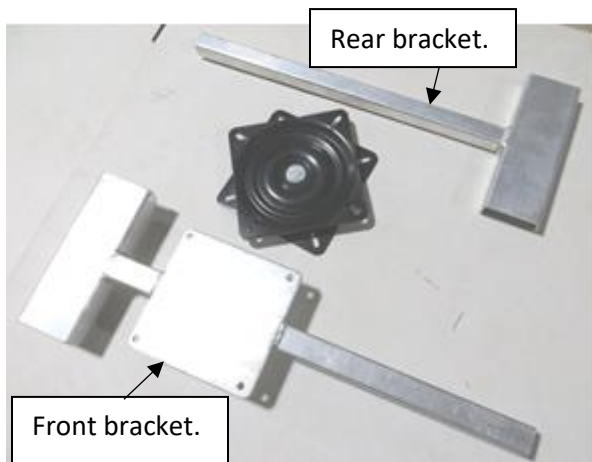
1. Front seat bracket
2. Rear seat bracket
3. Swivel w/hardware (4, Philips head machine screws, 4 washers)
4. Cushioned seat
5. Hardware bag (4, 1/4"x1" bolts, 4, 1/4" nylock nuts, 8 washers)

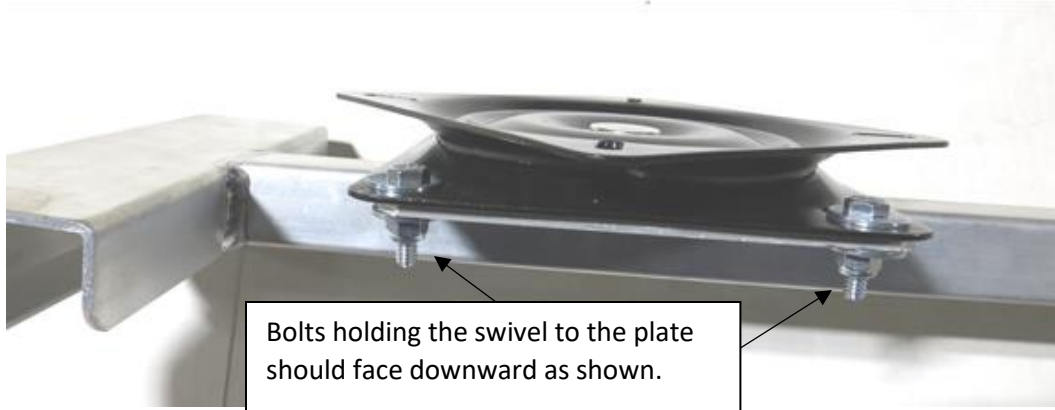
### Tools needed:

1. Ratchet
2. 7/16" socket
3. 7/16" wrench
4. Philips screwdriver

### Instructions

1. Insert rear bracket into the front bracket. Lock snap button into the appropriate hole for the sled size.
2. Turn swivel as shown and align the slots with the holes in the mounting plate. Secure at all four corners with the 1/4 x 1" bolts, washers and nylock nuts as shown. Bolts need to be facing downward.





3. Place seat bottom up and align the swivel slots with the threaded inserts in the seat bottom. Secure with the Philips head machine screws and washers at all four corners.



4. Hook front bracket over the sled lip and edge. Push the back bracket down onto the other sled edge as shown.

