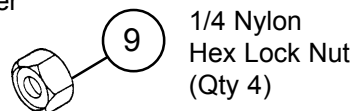
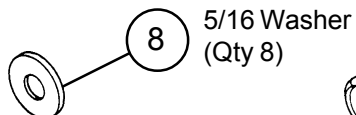
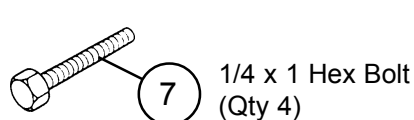
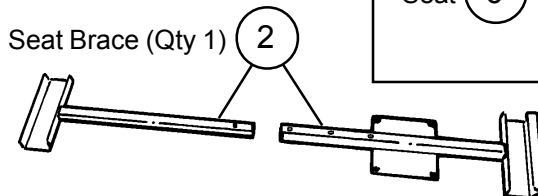
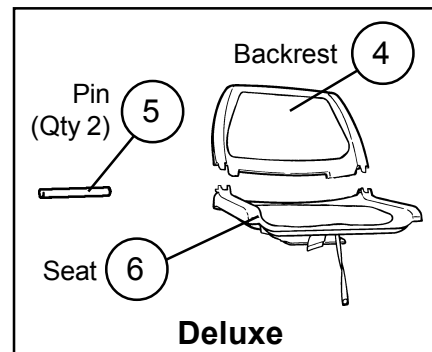
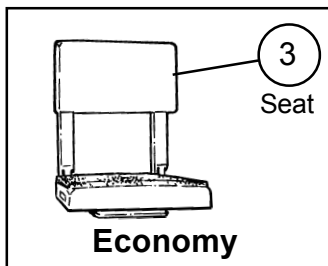
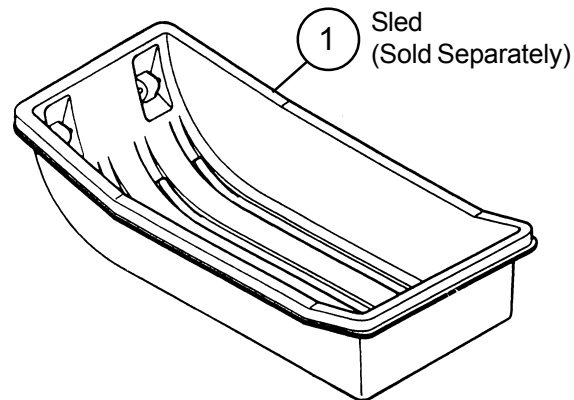




# Otter II Fish House Seat Installation and Set-Up Instructions

## Parts Identification:



## Tools Required:

7/16 Box End Wrench  
7/16 Socket and Ratchet  
Hammer

## Installation:

1. Layout all parts.
2. Slide the two pieces of the seat brace (Item 2) together. Hold pin in and slide to desired position. See Diagram 1.
3. Attach seat brace (Item 2) under the front edge of the sled (Item 1) as shown in Diagram 2. Then lower the seat brace and let it rest on the opposite sled edge.

Diagram 1

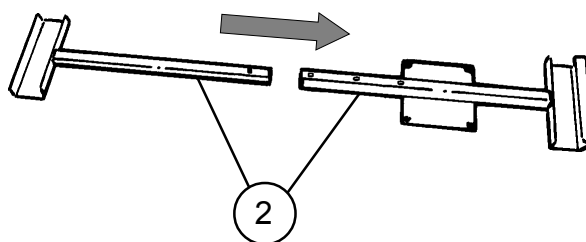
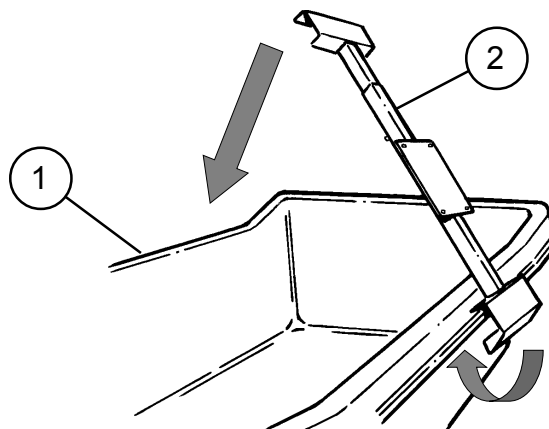


Diagram 2



If you have the deluxe seat, place the backrest (Item 1) on the seat (Item 2) and line up the holes on the bottom of the backrest and the back of the seat. Insert the pins (Item 3) through the holes. Use a hammer to drive them all the way in.

